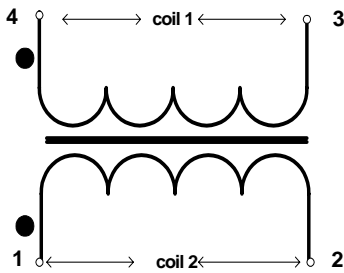


Table 1: Electrical Specifications at 25 °C.

PARAMETER	SPECIFICATION LIMITS			UNITS
	MIN	TYP	MAX.	
Coil 1 Inductance (1-2) 1.0mVrms @ 100 KHz	35	44.0	-----	mH
Design Parameters: Switching Frequency	-----	60 to 400	-----	Hz
DCR (MAX) Coil 1 (1-2) Coil 2 (3-4)	----- -----	----- -----	1.57 1.57	Ω

Figure 1: Schematic Diagram



Note:

1. All materials meet UL94V-0 and are non-flammable.
2. All materials rated 130° C.
3. Dimensions in inch, .XX±0.03.
4. All hipot voltage are AC VOLTS RMS specified below at 60 Hz.
The leakage current doesn't exceed 15 µA rms.
A. 1500V rms mini from (1&2) with respect to (3&4).
B. 1500V rms mini from any pin of coil to core

Figure 2: Physical Dimensions in inch.

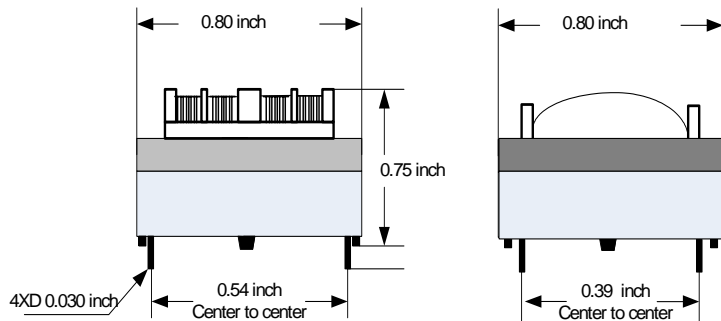


Figure 3: Inductor foot print.

