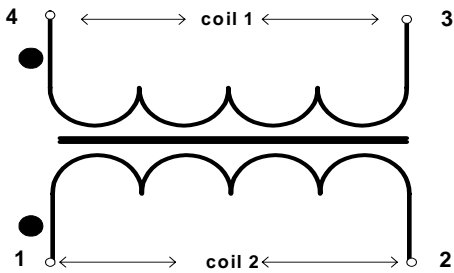


Table 1: Electrical Specifications at 25 °C.

PARAMETER	SPECIFICATION LIMITS			UNITS
	MIN	TYP	MAX.	
Coil 1 Inductance (10—1) 250mVrms @ 100 KHz	0.85	1.0	1.15	mH
Design Parameters: Switching Frequency	-----	60 to 400	-----	Hz
DCR (MAX) Coil 1 (10-1) Coil 2 (6-5)	----- -----	----- -----	60 60	mΩ

Figure 1: Schematic Diagram



Note:

1. All materials meet UL94V-0 and are non-flammable.
2. All materials rated 130°C.
3. Dimensions in inch, .XX±0.03.
4. All hipot voltage are AC VOLTS RMS specified below at 60 Hz.
The leakage current doesn't exceed 15 µA rms.
 - A. 1500V rms mini from (1&10) with respect to (5&6).
 - B. 1500V rms mini from any pin of coil to core

Figure 2: Physical Dimensions in inch.

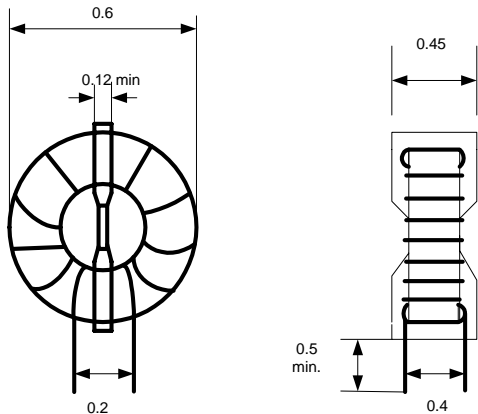
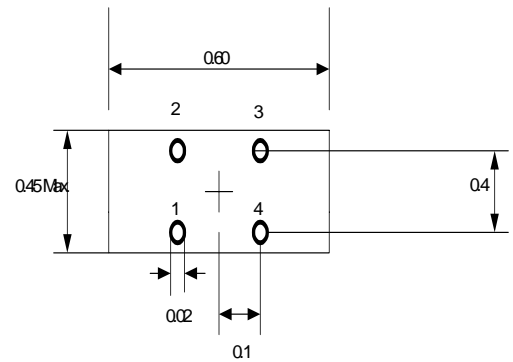


Figure 3: Inductor foot print.



Recommended PCB Footprint