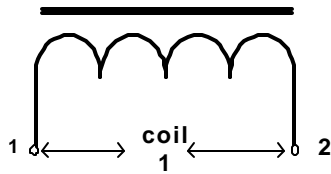


Table 1: Electrical Specifications at 25 ° C.

PARAMETER	SPECIFICATION LIMITS			UNITS
	MIN	TYP	MAX.	
Coil 1 Inductance (1—2) 1Vrms @ 100 KHz	210	235.00	-----	ηH
Design Parameters: Switching Frequency	-----	400	-----	Hz
DCR (MAX) Coil 1 (1-2)	-----	-----	180	mOhm

Figure 1: Schematic Diagram



Note:

1. All materials meet UL94V-0 and are non-flammable.
2. All materials rated 130° C.
3. Dimensions in inch, .XX±0.03.
4. All hipot voltage are AC VOLTS RMS specified below at 60 Hz for one minute. The leakage current doesn't exceed 130 μA rms. 1500V mini from (1&2) with respect to core.

Figure 2: Physical Dimensions in inch.

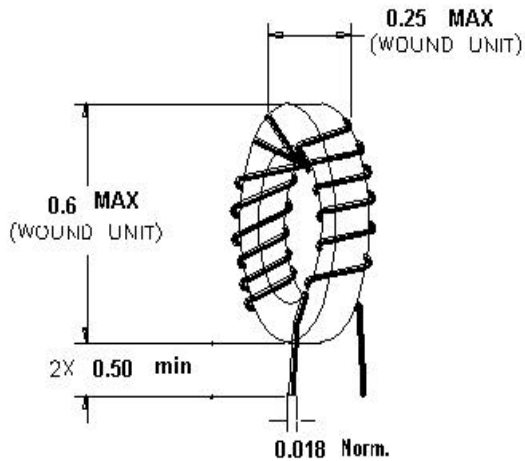


Figure 3: Transformer foot print.

