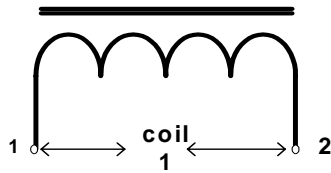


P/N: JL2008-1	Application: PFC Boost Inductor 6mH/0.5A	Rev: 0	Date: 06-28-05	Page: 1 of 1	Name: Jin Zhihui
Changes	Increased outgoing wire length to 0.4 inch	Rev: 1	Date: 08-26-05	Page: 1 of 1	Name: Jin Zhihui
	To change DC resistance to 1.53 Ohm	Rev: 2	Date: 02-14-06	Page: 1 of 1	Name: Jin Zhihui

Table 1: Electrical Specifications at 25 °C.

PARAMETER	SPECIFICATION LIMITS			UNITS
	MIN	TYP	MAX.	
Coil 1 Inductance (1—2) 1Vrms @ 100 KHz	5.10	6.00	-----	mH
Design Parameters: Switching Frequency	-----	100	-----	KHz
DCR (MAX) Coil 1 (1-2)	-----	-----	1.53	Ohm

Figure 1: Schematic Diagram



Note:

1. All materials meet UL94V-0 and are non-flammable.
2. All materials rated 130° C.
3. Dimensions in inch, .XX±0.03.
4. All hipot voltage are AC VOLTS RMS specified below at 60 Hz for one minute. The leakage current doesn't exceed 130 μA rms. 1500V mini from (1&2) with respect to core.

Figure 2: Physical Dimensions in inch.

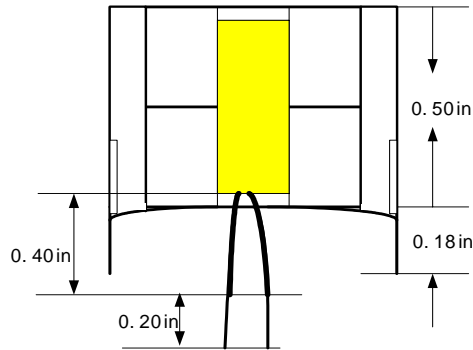


Figure 3: Inductor foot print.

