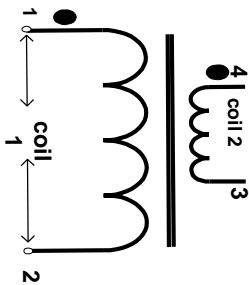


Table 1: Electrical Specifications at 25 °C.

PARAMETER	SPECIFICATION LIMITS			UNITS
	MIN	TYP	MAX.	
Coil 1 Inductance (1—2) 1Vrms @ 100 KHz	0.85	1.00	-----	mH
Design Parameters: Switching Frequency	-----	150	-----	KHz
DCR (MAX) Coil 1 (1-2) Coil 2 (4-3)	----- -----	----- -----	180 50	mOhm

Figure 1: Schematic Diagram



Note:

1. All materials meet UL94V-0 and are non-flammable.
2. All materials rated 130° C.
3. Dimensions in inch, .XX±0.03.
4. All hipot voltage are AC VOLTS RMS specified below at 60 Hz for one minute. The leakage current doesn't exceed 130 $\mu\text{A rms}$.
1500V mini from (1&2) with respect to (3&4).
1500V mini from (1&2) &(3&4) with respect to core.

Figure 2: Physical Dimensions in inch.

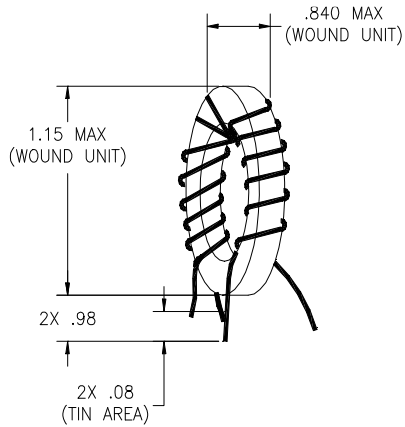


Figure 3: Transformer foot print.

