

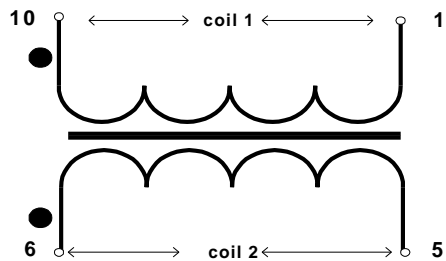
## 2.5 A 4mH common mode EMI filter

JL2011

Table 1: Electrical Specifications at 25 °C.

PARAMETER	SPECIFICATION LIMITS			UNITS
	MIN	TYP	MAX.	
Coil 1 Inductance (10—1) 250mVrms @ 100 KHz	3.78	-----	-----	mH
Design Parameters: Switching Frequency	-----	60 to 400	-----	Hz
DCR (MAX) Coil 1 (10-1) Coil 2 (6-5)	-----	-----	20 20	mO

Figure 1: Schematic Diagram



Note:

1. All materials meet UL94V-0 and are non-flammable.
2. All materials rated 130°C.
3. Dimensions in inch, .XX±0.03.
4. All hipot voltage are AC VOLTS RMS specified below at 60 Hz.  
The leakage current doesn't exceed 15  $\mu$ A rms.
- A. 1500V rms mini from (1&10) with respect to (5&6).
- B. 1500V rms mini from any pin of coil to core

Figure 2: Physical Dimensions in inch.

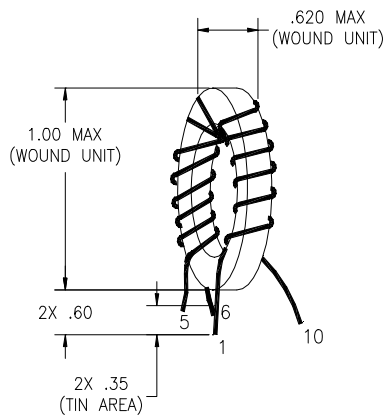


Figure 3: Inductor foot print.

