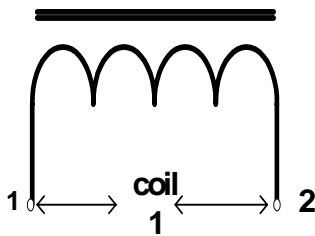


JL2019A

Table 1: Electrical Specifications at 25 °C.

PARAMETER	SPECIFICATION LIMITS			UNITS
	MIN	TYP	MAX.	
Coil 1 Inductance (1—2) 0.1 Vrms @ 100 KHz	3.40	4.0	-----	mH
Design Parameters: Switching Frequency	-----	100	-----	KHz
DCR (MAX) Coil 1 (1-2)	-----	-----	80	mOhm

Figure 1: Schematic Diagram



Note:

1. All materials meet UL94V-0 and are non-flammable.
2. All materials rated 130° C.
3. Dimensions in inch, .XX±0.03.
4. All hipot voltage are AC VOLTS RMS specified below at 60 Hz for one minute. The leakage current doesn't exceed 130 µA rms. 1500V mini from (1&2) with respect to core.

Figure 2: Physical Dimensions in inch.

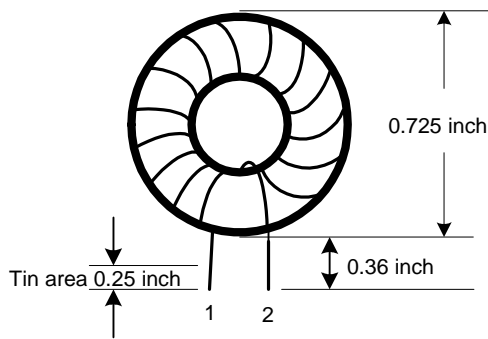
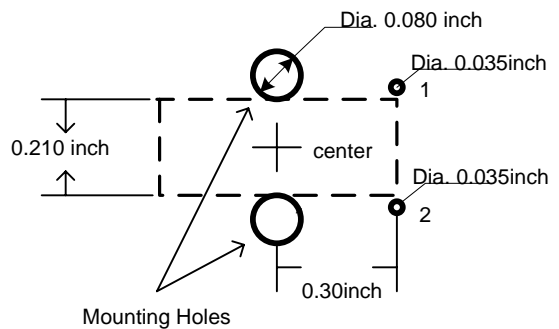


Figure 3: Transformer foot print.

Bottom View



Mechanical Tolerance: ±10%

P/N: JL2019	Applica: PFC inductor, 10.0mH/0.5A	Rev: 0	Date: 11-24-04	Page: 1 of 1	Name: Jin Zihui
P/N: JL2019A	Applica: PFC inductor, 4.0mH/0.5A	Rev: A	Date: 01-25-05	Page: 1 of 1	Name: Jin Zihui