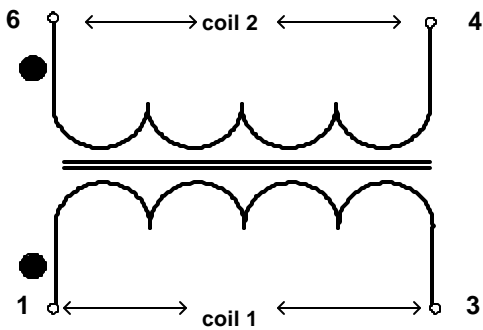




Table 1: Electrical Specifications at 25 ° C.

PARAMETER	SPECIFICATION LIMITS			UNITS
	MIN	TYP	MAX.	
Coil 1 Inductance (1—3) 250mVrms @ 100 KHz	204.0	240.0	-----	uH
Design Parameters: Switching Frequency	-----	15	-----	Hz
DCR (MAX) Coil 1 (1-3) Coil 2 (6-4)	----- -----	----- -----	500 500	mO

Figure 1: Schematic Diagram



Note:

1. All materials meet UL94V-0 and are non-flammable.
 2. All materials rated 130° C.
 3. Dimensions in inch, .XX±0.03.
 4. All hipot voltage are AC VOLTS RMS specified below at 60 Hz.
The leakage current doesn't exceed 15 μ A rms.
- A. 500V rms mini from (1&3) with respect to (6&4).
 - B. 500V rms mini from any pin of coil to core

Figure 2: Physical Dimensions in inch.

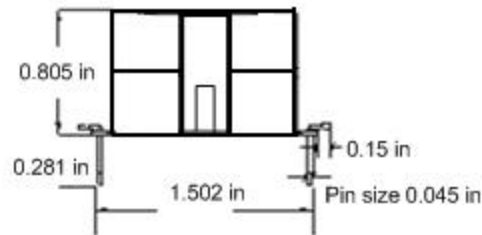
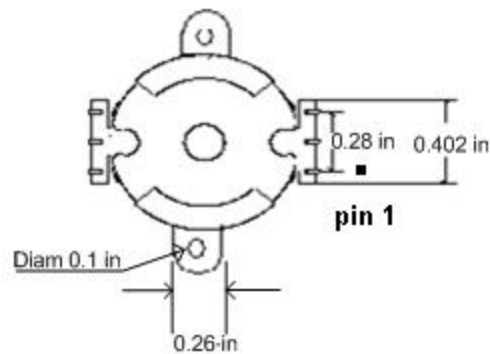


Figure 3: Inductor foot print



Clamp is spring steel, 0.017 in thick