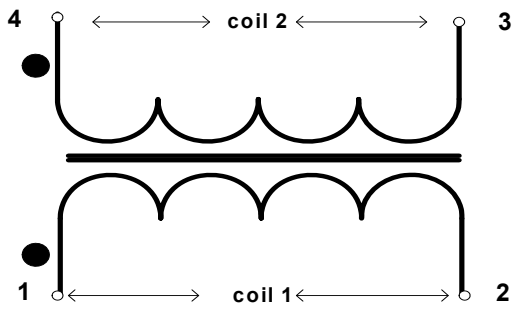


<b>P/N: JL2032</b>	<b>Application: EMI Common Filter, 3.2 mH/9.0A</b>	<b>Rev: 0</b>	<b>Date: 09-20-14</b>	<b>Page: 1 of 1</b>	<b>Name: Samuel</b>
--------------------	--	---------------	-----------------------	---------------------	---------------------

Table 1: Electrical Specifications at 25 °C.

PARAMETER	SPECIFICATION LIMITS			UNITS
	MIN	TYP	MAX.	
Coil 1 Inductance (10—1) 1Vrms @ 100 KHz	3.20	3.86	-----	mH
Design Parameters: Switching Frequency	-----	400	-----	Hz
DCR (MAX) Coil 1 (1-2) Coil 2 (4-3)	----- -----	----- -----	20 20	mOhm

Figure 1: Schematic Diagram



Note:

1. All materials meet UL94V-0 and are non-flammable.
2. All materials rated above -55°C to 130°C.
3. Dimensions in inch, .XX±0.03.
4. All hipot voltage are AC VOLTS RMS specified below at 60 Hz for one minute. The leakage current doesn't exceed 250 µA rms.
  - A. 1500V rms mini from (1&2) with respect to (4&3).
  - B. 1500V rms mini from any pin of coil to core.

Figure 2: Physical Dimensions in inch.

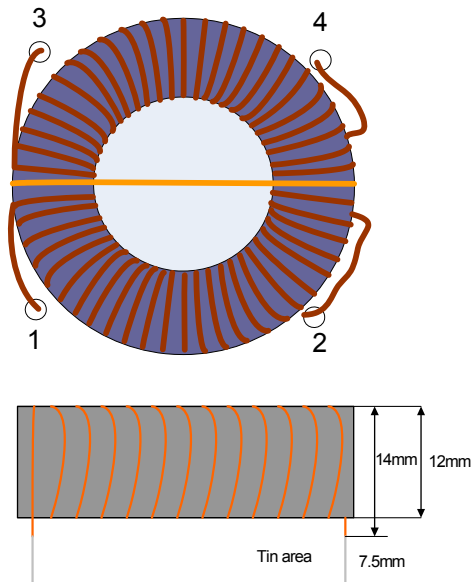


Figure 3: Inductor foot print.

