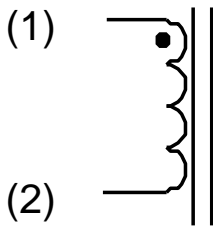


Table 1: Electrical Specifications at 25 °C.

PARAMETER	SPECIFICATION LIMITS			UNITS
	MIN	TYP	MAX.	
Coil 1 Inductance (1-2) 1Vrms @ 100 KHz	160	180	-----	μ H
Design Parameters: Switching Frequency	-----	150	-----	kHz
DCR (MAX) Coil 1 (1-2)	-----	-----	60	mOhm

Figure 1: Schematic Diagram



Note:

1. All materials meet UL94V-0 and are non-flammable.
2. All materials rated 130°C.
3. Dimensions in inch, .XX \pm 0.03.
4. All hipot voltage are AC VOLTS RMS specified below at 60 Hz for one minute. The leakage current doesn't exceed 15 μ A rms.
500V mini from (1&2) with respect to core.

Figure 2: Physical Dimensions in inch.

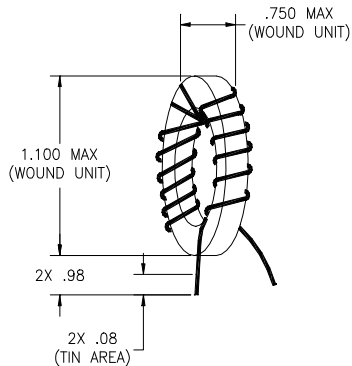


Figure 3: Inductor Foot Print.

