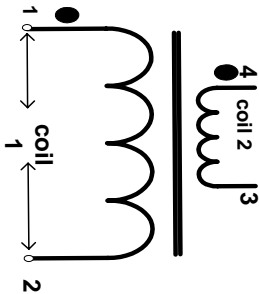


Table 1: Electrical Specifications at 25 °C.

PARAMETER	SPECIFICATION LIMITS			UNITS
	MIN	TYP	MAX.	
Coil 1 Inductance (1—2) 0.1Vrms @ 1 KHz	600	700	-----	microH
Design Parameters: Switching Frequency	-----	150	-----	KHz
DCR (MAX) Coil 1 (1-2) Coil 2 (4-3)	----- -----	----- -----	180.0 55.0	mOhm

Figure 1: Schematic Diagram

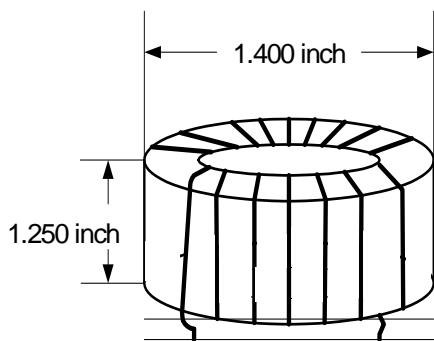


Note:

1. All materials meet UL94V-0 and are non-flammable.
2. All materials rated 130° C.
3. Dimensions in inch, .XX±0.03.
4. All hipot voltage are AC VOLTS RMS specified below at 60 Hz for one minute. The leakage current doesn't exceed 130 μA rms. 1500V mini from (1&2) with respect to (3&4) and core.

Figure 2: Physical Dimensions in inch.

Figure 3: Inductor foot print.



Tin Area 0.1 inch

