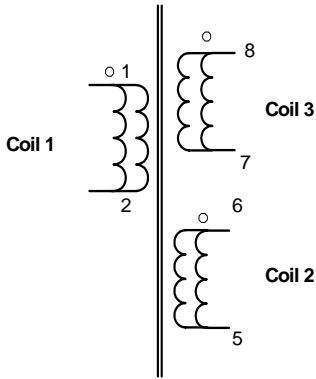


Table 1: Electrical Specifications at 25 °C.

PARAMETER	SPECIFICATION LIMITS			UNITS
	MIN	TYP	MAX.	
Coil 1 Inductance (1—2) 10 mVrms @ 100 KHz	10	11.8	-----	μH
Design Parameters: Switching Frequency	-----	200	-----	KHz
DCR (MAX)				
Coil 1 (1-2)	-----	-----	15	mOhm
Coil 2 (5-6)	-----	-----	15	
Coil 3 (7-8)	-----	-----	15	

Figure 1: Schematic Diagram



Note:

1. All materials meet UL94V-0 and are non-flammable.
2. All materials rated 130°C.
3. Dimensions in inch, .XX±0.03.
4. All hipot voltage are AC VOLTS RMS specified below at 60 Hz for one minute.
The leakage current doesn't exceed 25 μA rms.
500V rms from (1&2) with respect to (5&6).
500V rms from (1&2) with respect to (7&8).
500V rms from (5&6) with respect to (7&8).
500V rms from (1&2), (5&6), (7&8) with respect to core.

Figure 2: Physical Dimensions in inch

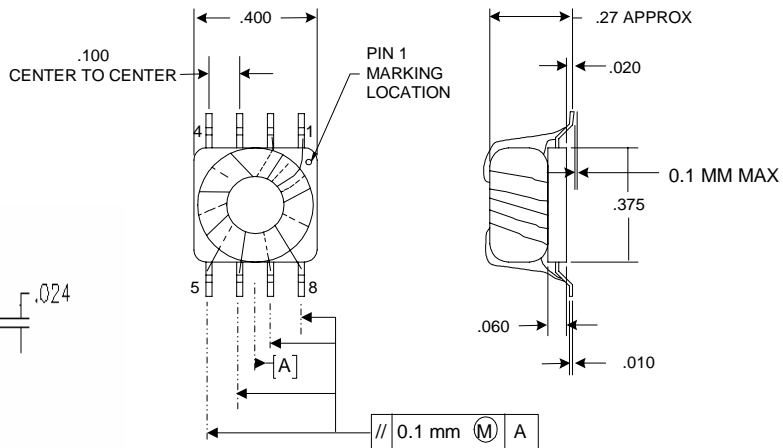


Figure 3: Transformer foot print.

